



## City of Citrus Heights

Building and Safety Division

6360 Fountain Square Drive Citrus Heights, CA 95621

Phone: (916) 727-4760 • Fax: (916) 725-5799 • [www.citrusheights.net](http://www.citrusheights.net)

# Attached Patio Cover Sample

## General

### Purpose

The sample illustrations show how an attached unenclosed patio structure may be built using conventional light wood-frame construction guidelines. The conventional method allows “repetitive” members in the designs of walls, floors and ceiling; they are prescriptive and do not ordinarily require a structural design to comply with the code.

## Design Provisions

### Patio Cover Limitations

The following patio cover illustrations are only applicable in residential dwellings classified as R-3 Occupancies.

Patio covers are not designed or intended to be used as room additions which require compliance with code provisions such as heating, waterproofing, and normal live and wind loads. Furthermore, patio covers cannot always be converted to complying room additions.

### What information is needed to obtain a building permit?

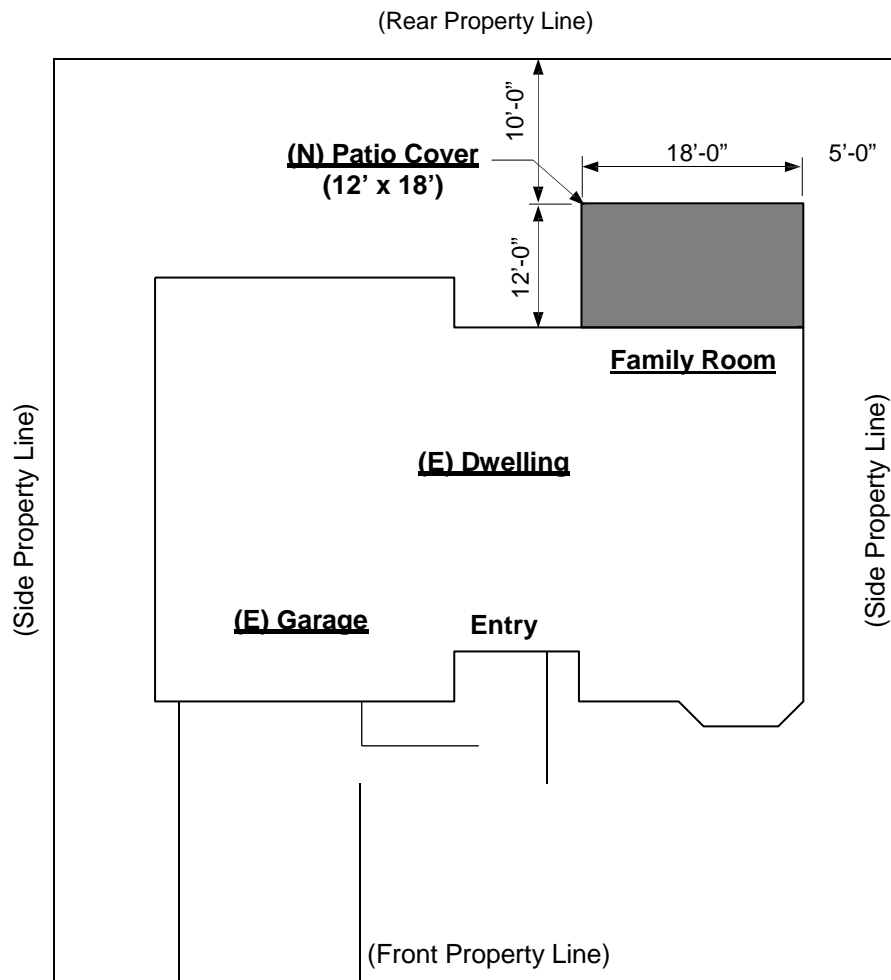
Included in the plan submittal should be the following information which clearly depicts the proposed patio cover construction and its relationship to the entire lot. Information such as the size and spacing of all framing members, attachment detail to the exterior wall, roof covering material, connection specifications for beam to post, and for post to footing, etc.

Samples of plans are illustrated on the next pages for clarification; additional plan information may be requested if the plans provided are unclear or incomplete. If the patio structure consists of a simple design similar to the sample illustrations, you may refer to the tables enclosed for allowable size/spacing of structural members. Otherwise, a structural analysis/evaluation may be required by a California licensed engineer for structures of unusual shape and for structures with tile roofing materials (i.e. cellulose, cement). Plan size (11”X17”)

- Site Plan –(8 1/2X11) **3 (showing all structures)**
- Elevation(s) - **3**
- Roof Framing - **3**
- Cross-Section - **3**
- Framing Details - **3**
- Electrical - **3 (if applicable)**

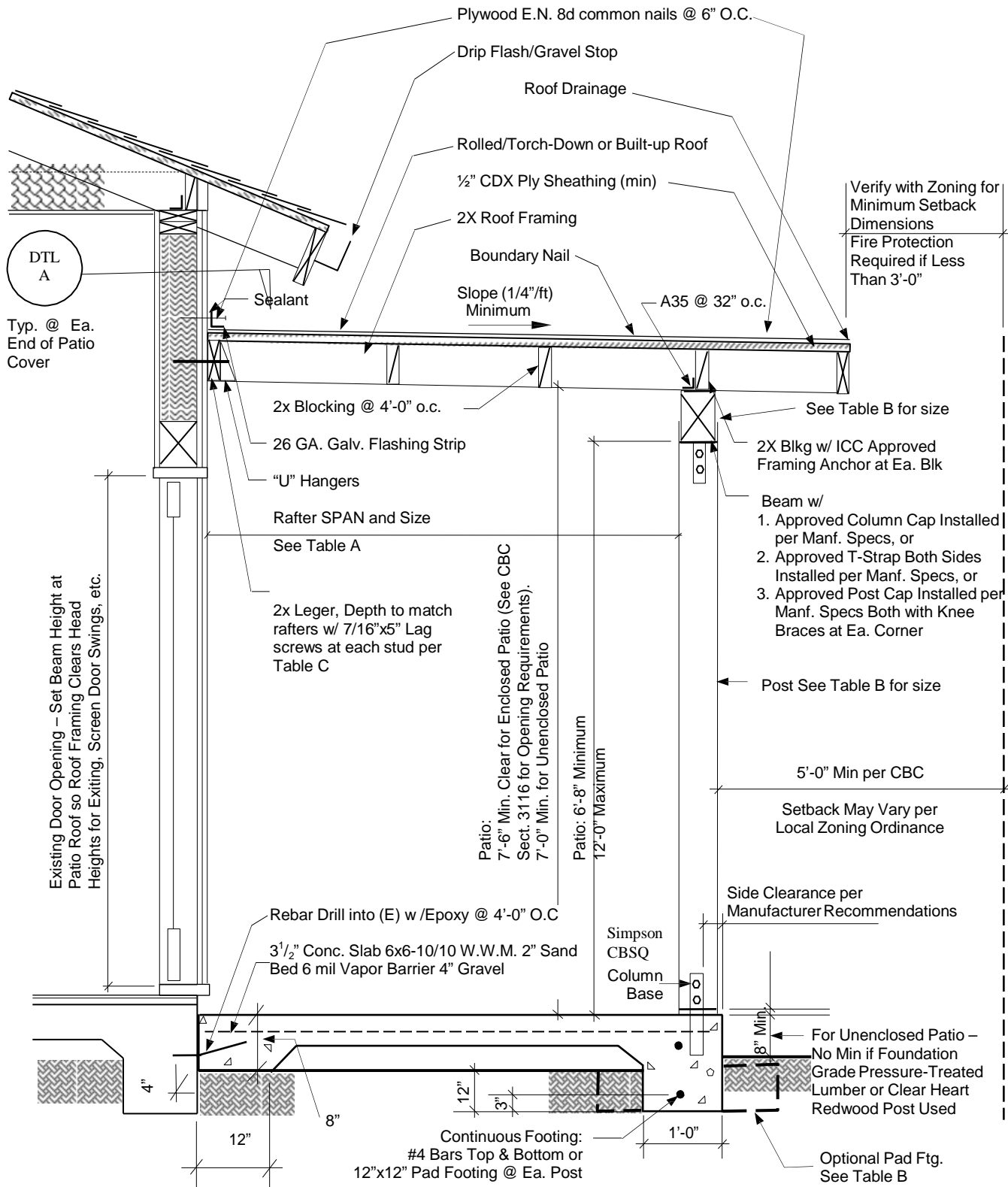
## SETBACK AND LOT COVERAGE REQUIREMENTS FOR PATIO COVER

1. Attached covered patios shall comply with the setback requirements for a primary structure in the applicable zoning district.
2. The maximum area of a lot that may be covered by roofed structures (house, patio, garage, carport, shed, etc.) shall comply with the maximum lot coverage in the applicable zoning district.
3. PLOT PLAN shall show:
  - a. Lot dimensions and easements
  - b. Size and location of existing structures and new patio
  - c. Distance between patio and property lines
  - d. Total covered area square footage (i.e. house, garage, shed, and new proposed patio)
  - e. Location of electrical, lighting & ceiling fixtures
  - f. Location of electrical service panel (meter main)
4. ARCHITECTURAL, STRUCTURAL, and DETAIL SHEETS shall show:
  - a. Foundation
  - b. Size of headers (beams), size of posts, post spacing, roof rafter size and spacing, attachments to walls, roof sheathing, type of roofing, roof pitch or slope.



San Juan Ave

Site Plan  
Scale: 1" = 20'-0"



**Notes:**

1. All concrete to have a minimum compressive strength of 2500 psi @ 28 days.
2. Concrete reinforcing steel to be ASTM615 grade 40 steel (min).

**Cross-Section  
(Refer to Tables)**

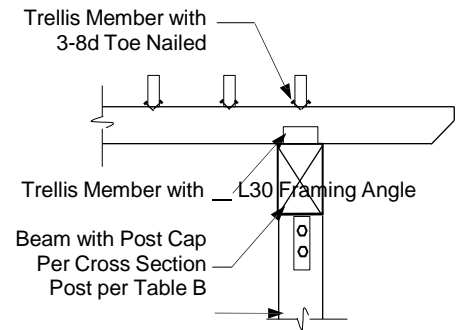
### Table A – Roof Rafters/Ceiling Joists

ALLOWABLE SPANS FOR DF #2 ROOF RAFTERS			ALLOWABLE SPANS FOR DF #2 CEILING JOISTS		
Light Dead Load (up to 15 psf) Max. Roofing Load: 6 psf (Composition Roofing) Live Load: 20 psf L/Δ=240			Dead Load: 5 psf Live Load: 10 psf L/Δ=240		
RAFTER SIZE	SPACING	ALLOWABLE SPAN	JOIST SIZE	SPACING	ALLOWABLE SPAN
2x6	24"	10'-8"	2x4	24"	9'-10"
	16"	12'-9"		16"	11'-3"
	12"	14'-2"		12"	12'-5"
2x8	24"	13'-7"	2x6	24"	14'-10"
	16"	16'-11"		16"	17'-8"
	12"	18'-6"		12"	19'-6"
2x10	24"	16'-8"	2x8	24"	18'-9"
	16"	20'-6"		16"	23'-0"
	12"	23'-7"		12"	25'-8"
2x12	24"	19'-4"	2x10	24"	22'-11"
	16"	23'-9"		16"	26'-0"
	12"	26'-0"		12"	26'-0"

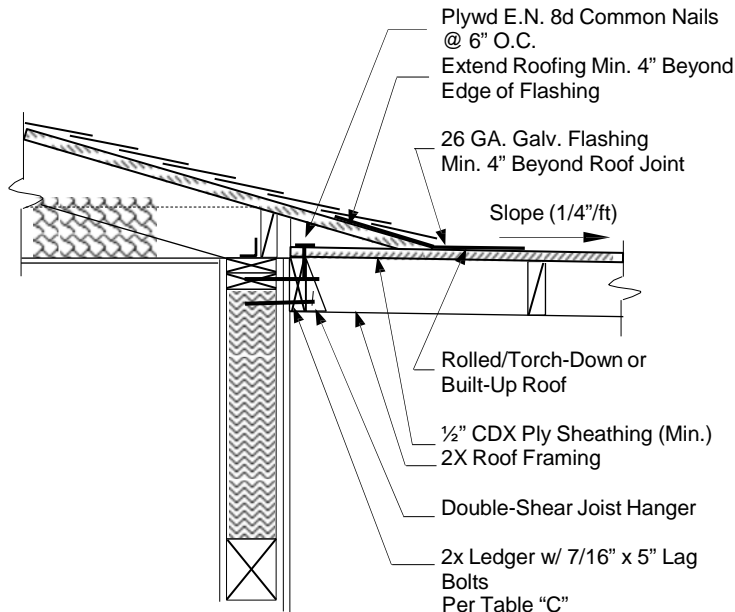
### Table A – Roof Rafters/Ceiling Joists

Type V construction is a classification of buildings by construction materials and methods. It is the least restrictive permitted by the California Building Code and includes light, wood-frame construction. This sheet is for information and reference only and is not a substitute for accurate drawings prepared for each proposed construction project.

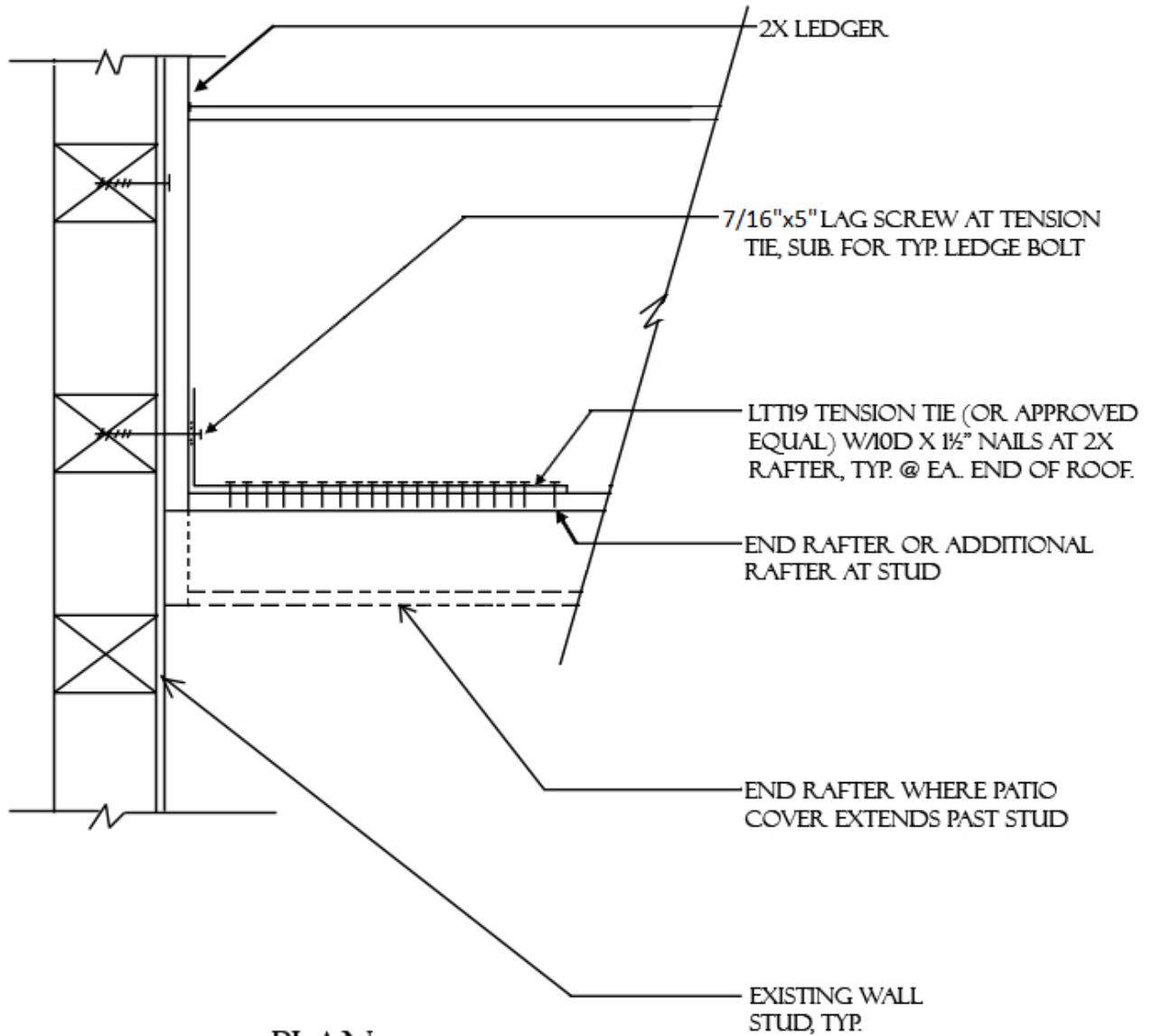
**NOTE:** Stucco or plaster ceilings are not to be used at framing shown in Span Tables.



### Trellis Connection Detail (Typical for Trellises)



Alternate Connection Detail  
(Typical for Patio Covers)



PLAN

DTL  
A

PATIO COVER ANCHORAGE

**Table B - Beams**

Rafter Span	Beam Span (max)	Beam Size (1)	Post Size (2)	Optional (4) Pad Footing
Up to 12'-0"	8'-0"	4x8	4x4	16" sq x 12" DP
	10'-0"	4x8	4x4	16" sq x 12" DP
	12'-0"	4x10	4x6 (3)	16" sq x 12" DP
	14'-0"	4x12	4x6 (3)	16" sq x 12" DP
	16'-0"	6x12	4x6 (3)	16" sq x 12" DP
12'-0" to 20'-0"	8'-0"	4x8	4x6 (3)	16" sq x 12" DP
	10'-0"	4x10	4x6 (3)	16" sq x 12" DP
	12'-0"	4x12	4x6 (3)	16" sq x 12" DP
	14'-0"	4x12	6x6	18" sq x 12" DP
	16'-0"	6x14	6x6	18" sq x 12" DP
20'-0" to 26'-0"	8'-0"	4x10	4x6 (3)	16" sq x 12" DP
	10'-0"	4x12	6x6	16" sq x 12" DP
	12'-0"	4x12	6x6	18" sq x 12" DP
	14'-0"	4x14	6x6	21" sq x 12" DP

**NOTES:**

1. All beams are to be Douglas Fir #2.
2. All posts are to be Douglas Fir #2.
3. Install posts so faces of posts are flush with faces of beams.
4. Pad footings are to have #4 bars @ 12" O.C. (max) each way located 3" clear from the bottom of the footings.

**Table C - Ledger Bolting**

Ledger Size	Wall Stud Spacing	Number of <sup>7</sup> / <sub>16</sub> " Lag Screws
2X6	16" O.C.	2 per stud
	24" O.C.	2 per stud
2X8	16" O.C.	2 per stud
	24" O.C.	3 per stud
2X10	16" O.C.	3 per stud
	24" O.C.	4 per stud
2X12	16" O.C.	3 per stud
	24" O.C.	4 per stud