



CITY OF CITRUS HEIGHTS GENERAL SERVICES DEPARTMENT

- 1 "BUMP AHEAD" SIGN
- 2 "BUMP" SIGN

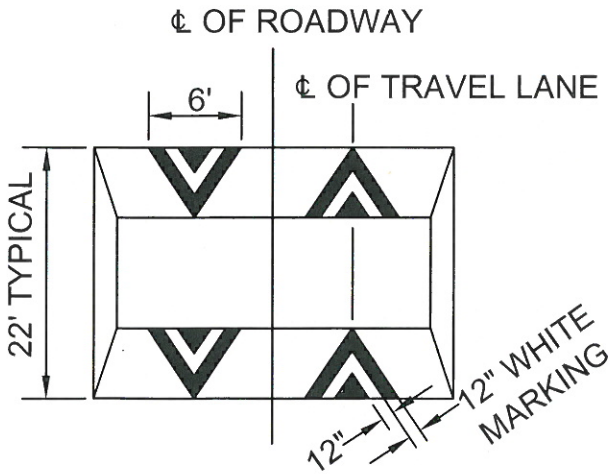


W37A
(30"x30")
W6 (24"x24")

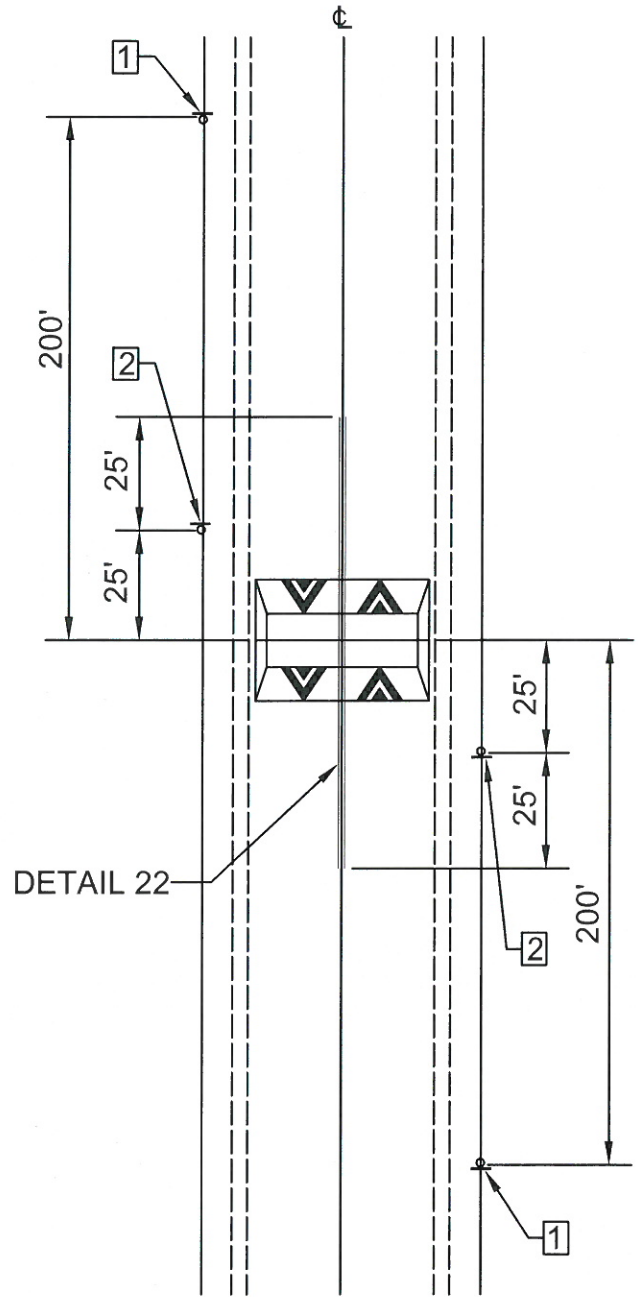


W37 (24"x24")

TYPICAL SPEED TABLE SIGNS NOT TO SCALE



TYPICAL SPEED TABLE MARKING NOT TO SCALE



TYPICAL SIGN LOCATION NOT TO SCALE

APPROVED BY:

Stuart Hodgkins

STUART HODGKINS, ACTING CITY ENGINEER

SPEED TABLE
DETAIL B

APPROVAL DATE: 10/23/12

SCALE: NONE

DRAWN BY: Jing Le Liu

CD - 19B