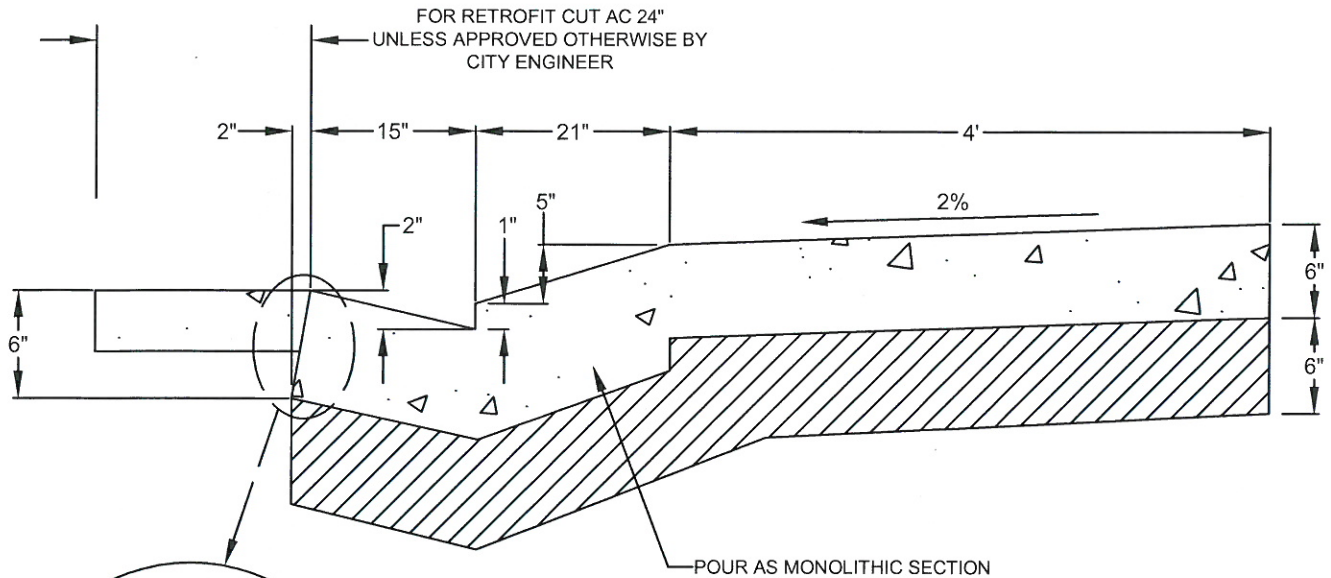
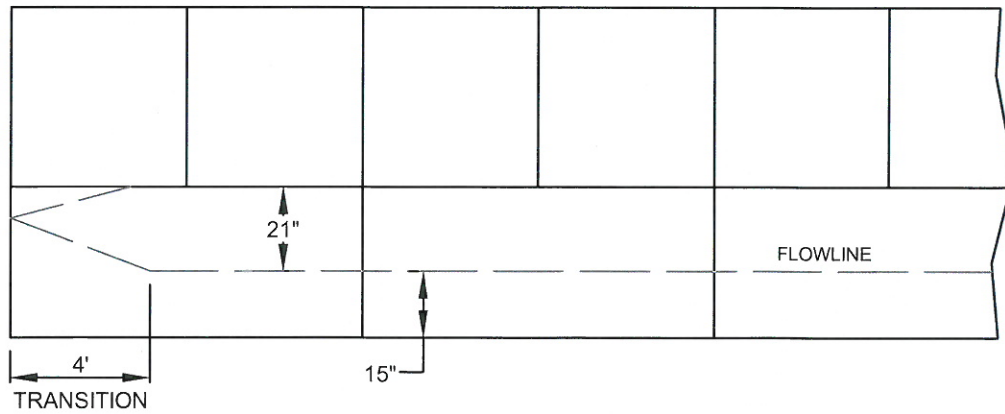
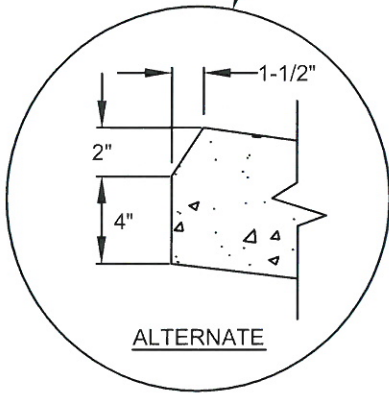




CITY OF CITRUS HEIGHTS GENERAL SERVICES DEPARTMENT



CURB, GUTTER & SIDEWALK SECTION



PLAN

APPROVED BY:

Stuart Hodgkins
STUART HODGKINS, ACTING CITY ENGINEER

**MODIFIED DRIVEWAY
CURB, GUTTER
AND SIDEWALK**

APPROVAL DATE: 5-7-12

SCALE: NONE

DRAWN BY: Jing Le Liu

CD - 12

D and PowerPoint Files\STD Construction Details_9_20_11.dwg
P:\Engineering\STANDARD DETAILS - CITY\Standard Del